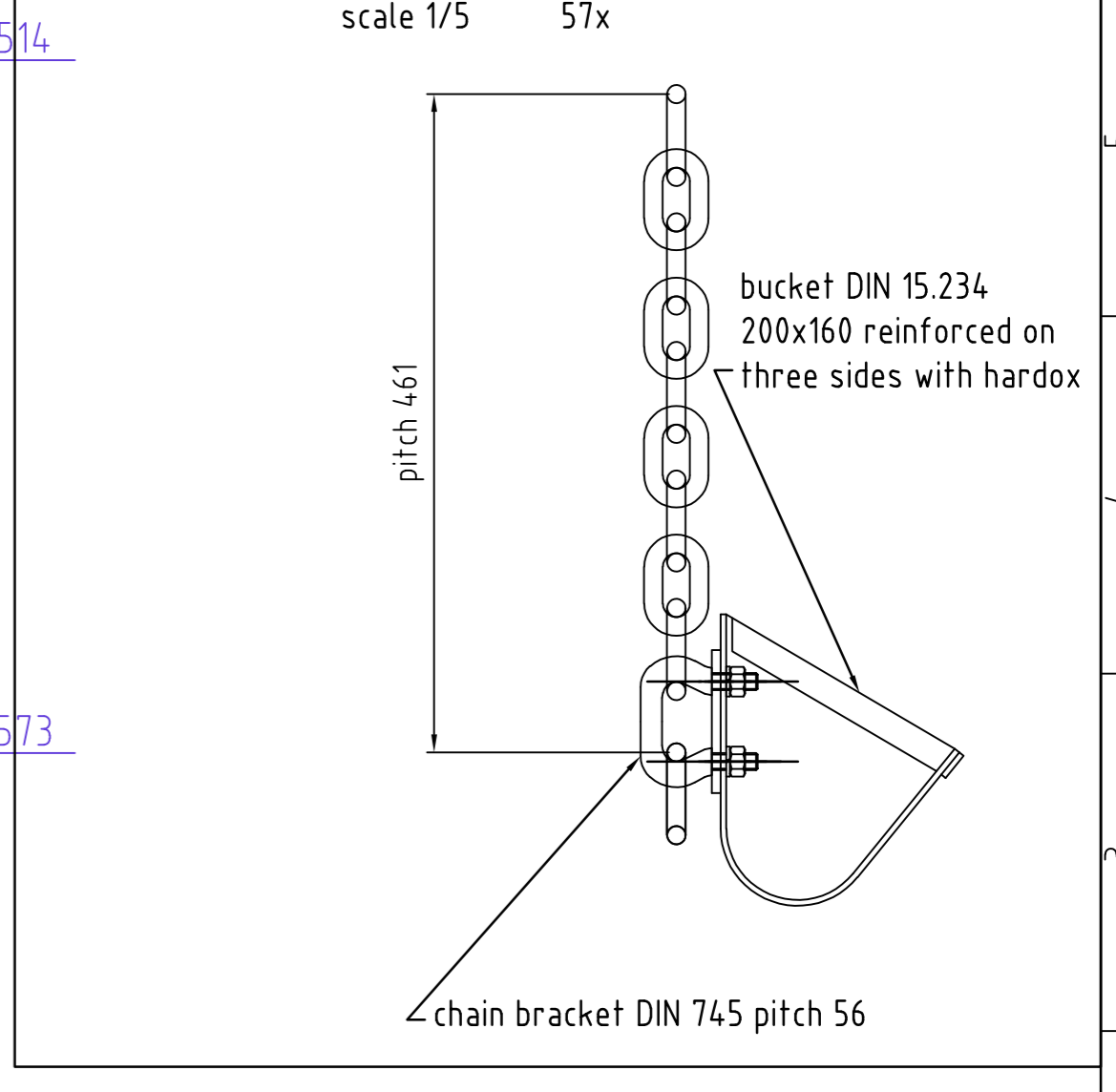
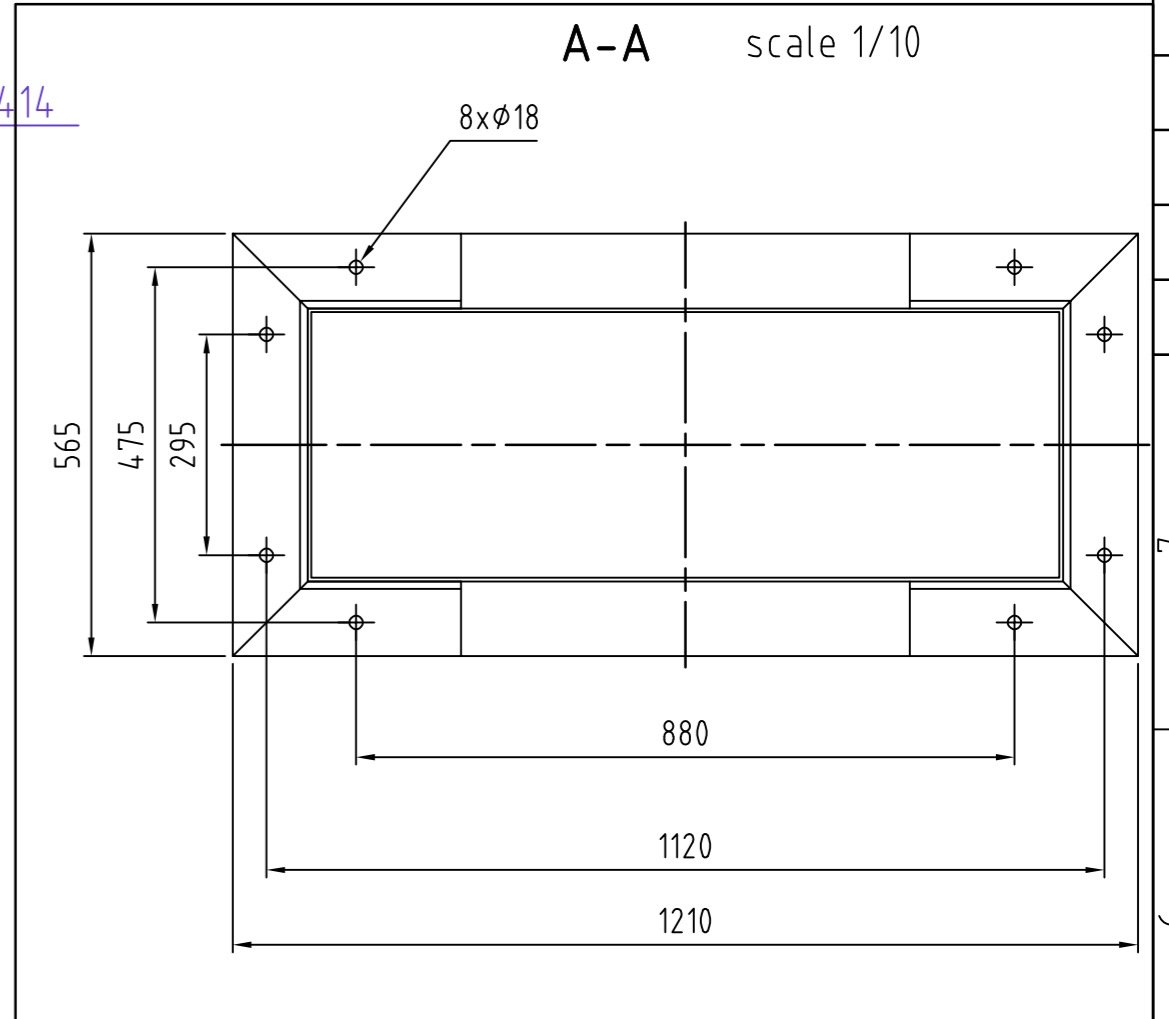
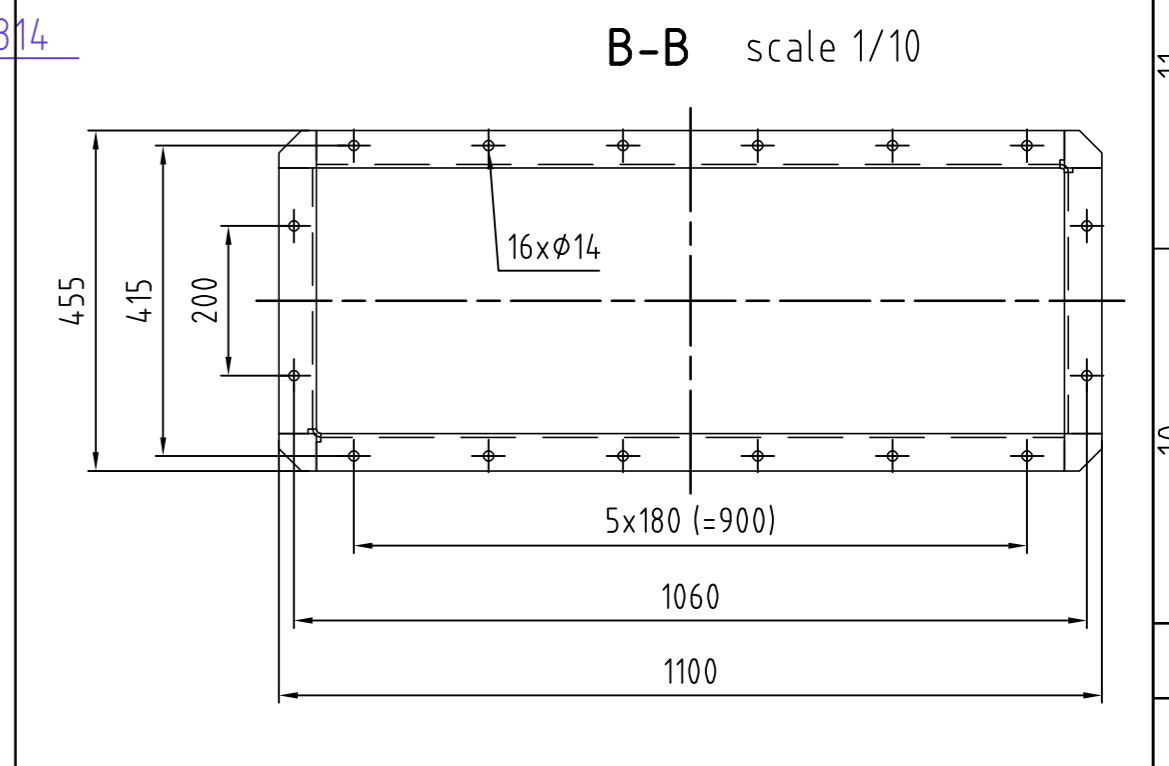


- 1.1 drive shaft RAN6
- 2.1 motor SEW KA67/T DRN100L4 / BESH
100L4 - 3 kW - 53 tr/min - 535 Nm
- 4.1 bearing house SNR 512
bearing 22212 with clamping bush H-312
2x packing SC 512 DS
- 4.2 bearing house SNR 512
bearing 22212 with clamping bush H-312
2x packing SC 512 DS
2x locating ring FR-110-10
- 5.1 brush holder and brushes 20x10x25
- 6.1 bearing house SNR 512
bearing 22212 with clamping bush H-312
2x packing SC 512 DS
- 6.2 bearing house SNR 512
bearing 22212 with clamping bush H-312
1x packing SC 512 DS
1x cover flange SC 512-610 EC
2x locating ring FR-110-10
- 8.1 2x chainwheel Ø500 with replaceable segments
predrilled hub Ø70 H7 and key seating
- 8.2 2x chain wheel Ø500 with replaceable segments
predrilled hub Ø60 H7 and key seating
- 9.1 rotation control IG-3008-BPKG
- 10.1 brush holder and brushes 20x10x25
- 11.1 return shaft RAN6



all flanges have to be sealed with the supplied BUTYRUB (4 tubes) (and supplied pistol)

MOTOGROUP Pathoekeweg 94
BRUGGE BELGIE
Tel 050 450860
Fax 050 310968

TYPE: elevator
NR : 2190557
Nom Flow: 13,6 m³/h
YEAR: 2020

MOTOGROUP THIS DRAWING AND DESIGN ARE THE EXCLUSIVE PROPERTY OF MOTOGROUP AND MAY NOT BE COMMUNICATED, DISCLOSED OR COPIED, EXCEPT AS AUTHORIZED BY THIS COMPANY.

ASSEMBLY ELEVATOR

DATE 24/04/2020	DRAWN BY RYDM	REVISION	A	B	C	D	E
SCALE 1/20	BORDER A1	DRWG. NR. 2190557.10					